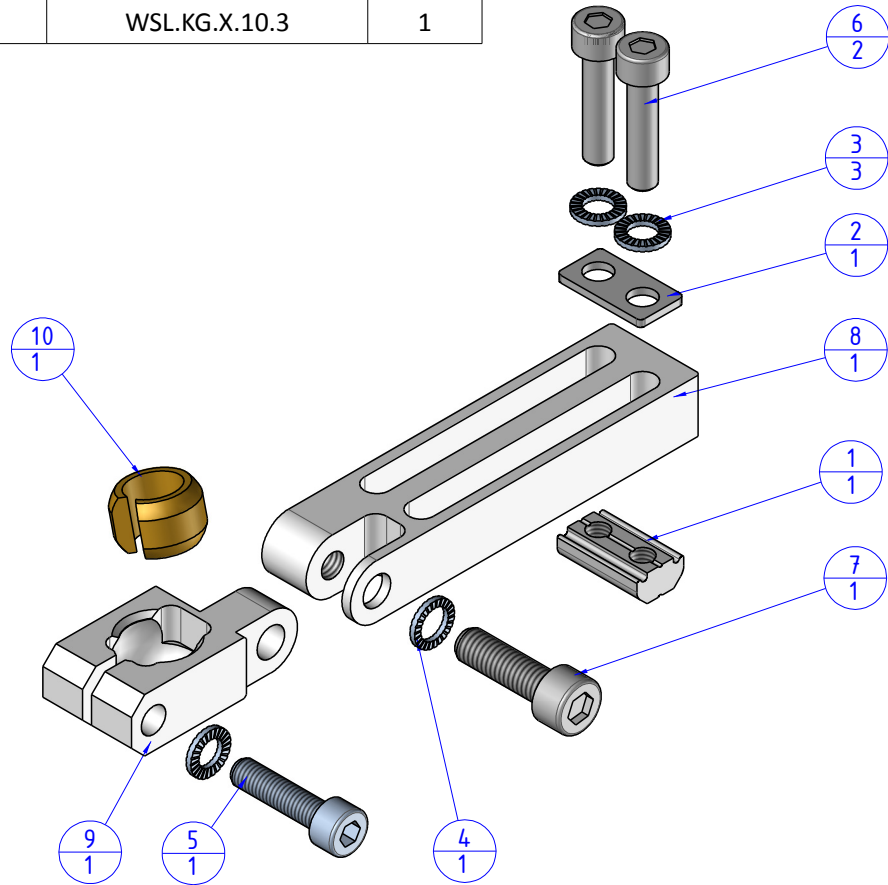
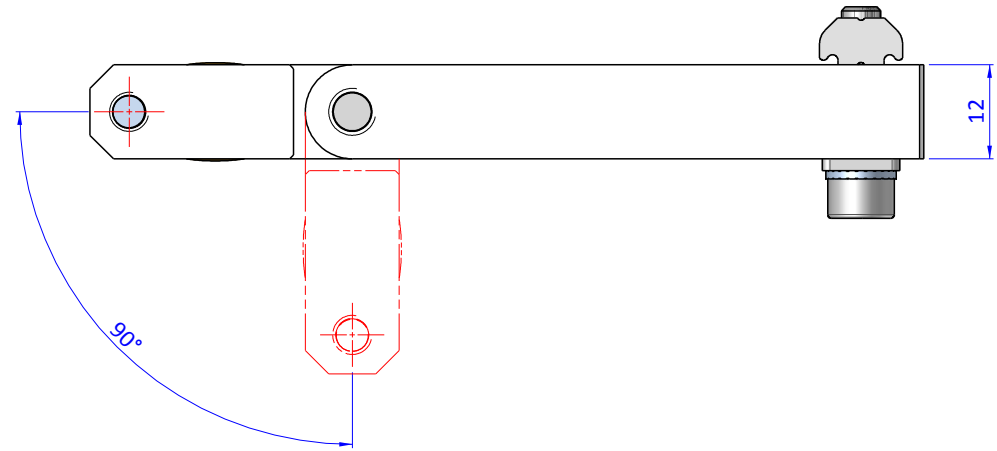
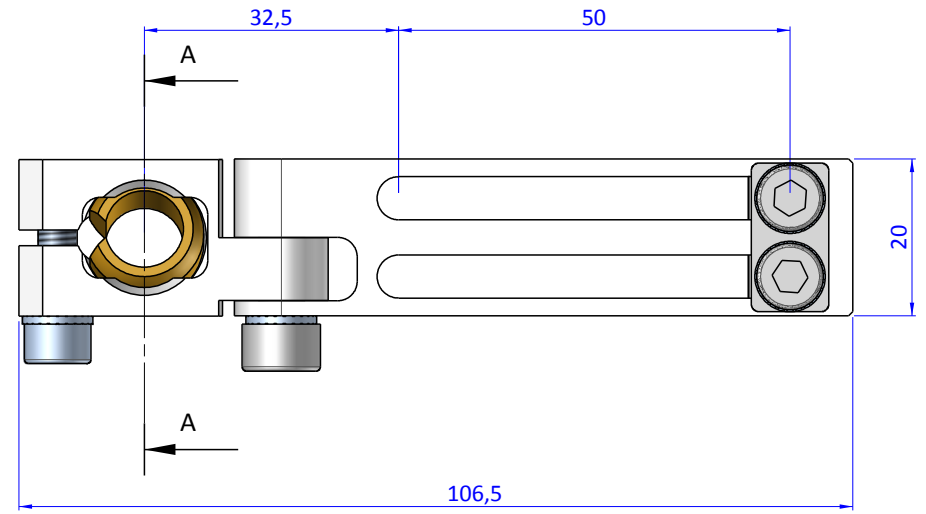
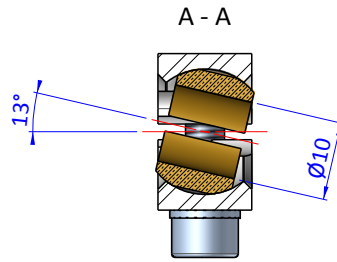


THE PROPERTY OF THE DRAWING IS ESTABLISHED BY LAW. IT IS FORBIDDEN TO PRODUCE OR SHOW IT TO THIRD PARTY, WITHOUT A WRITTEN AGREEMENT.

Item	Name	Qty.
1	CA.GWP.5.10	1
2	R.05.10	1
3	R.5.SCH	3
4	R.6.SCH	1
5	V.TCE5x20	1
6	V.TCE5x22	2
7	V.TCE6x20	1
8	WSL.KG.X.10.1	1
9	WSL.KG.X.10.2	1
10	WSL.KG.X.10.3	1



Format A3

UNI 936-76

		DESIGNED FROM		REVIEW
		FPSERVICES		A
GENERAL TOLERANCE		DATE	WEIGHT	
UNI - ISO 2768		16/11/2018	0,078kg	
CLASSE F		CODE		
		CA.WSL.KG.X.10		CA.WSL.KG.X.10